

# QAOL1

## Low Intensity LED Aviation Obstruction Light



**Collision avoidance lights for running automobile and moving objectives in airport runway and aerodrome**



**Obtained Certification from the International Civil Aviation Organization**



QAOL1



### QAOL1 Low Intensity LED Aviation Obstruction Light

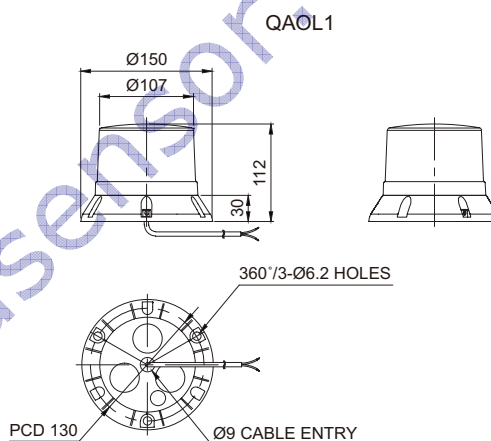
• Low intensity type C is intended for automobile and moving objectives in airport runway and aerodrome.

ICAO standard	Low intensity C type		
Light source	High intensity light emitting diodes(LED)		
Light color	Amber		
Light function	Flashing		
Voltage	DC12V-24V		
Power consumption	7W		
Standard housing color	Amber	Cable entry	Ø9
Materials	Lens-PC, Housing-PC		
Protection rating	IP66	Ambient operating temperature	-30°C to +50°C
Certificate	ICAO compliant	Luminous intensity	200cd±25%



#### Technical Diagram

(Units : mm)



#### Customization

• Amber housing is available upon request



#### Ordering Specification

<b>QAOL1</b>	-	<b>24</b>	-	<b>A</b>
[Model number]		[Voltage]		[Color]
• QAOL1		• 12/24-DC12V-24V		• A-Amber