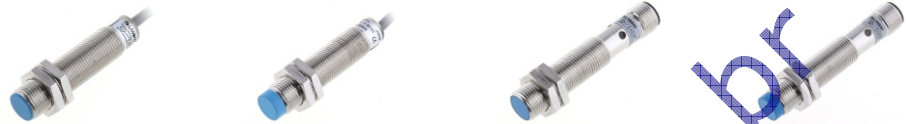


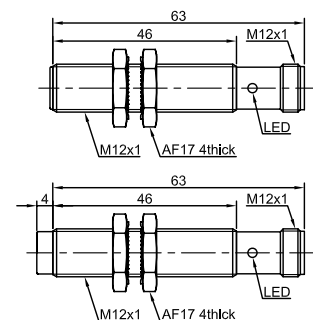
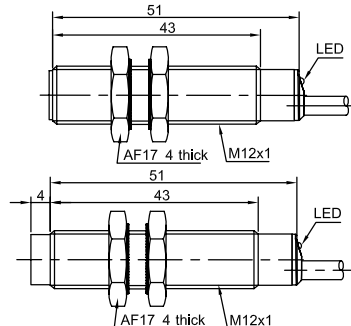
Item Code	LR12X		LR12X	
Mounting	● Flushed	◐ Non-flushed	● Flushed	◐ Non-flushed
Sensing distance	2mm	4mm	2mm	4mm



Output	NPN NO	LR12XBF02DNOA	LR12XBN04DNOA	LR12XBF02DNOA-E2	LR12XBN04DNOA-E2
	NPN NC	LR12XBF02DNCA	LR12XBN04DNCA	LR12XBF02DNCA-E2	LR12XBN04DNCA-E2
Output	PNP NO	LR12XBF02DPOA	LR12XBN04DPOA	LR12XBF02DPOA-E2	LR12XBN04DPOA-E2
	PNP NC	LR12XBF02DPCA	LR12XBN04DPCA	LR12XBF02DPCA-E2	LR12XBN04DPCA-E2

Technical Parameter				
Supply voltage	10...30 VDC	10...30 VDC	10...30 VDC	10...30 VDC
Temperature drift	< ±10%	< ±10%	< ±10%	< ±10%
Load current	<200mA	<200mA	<200mA	<200mA
Voltage drop	<2.5V	<2.5V	<2.5V	<2.5V
Consumption current	<15mA	<15mA	<15mA	<15mA
Hysteresis	1...20%	1...20%	1...20%	1...20%
Repeat accuracy	<3%	<3%	<3%	<3%
Frequency	3000Hz	2000Hz	3000Hz	2000Hz
Output indicator	Yellow LED	Yellow LED	Yellow LED	Yellow LED
Polarity protection	yes	yes	yes	yes
Surge protection	yes	yes	yes	yes
Short-circuit protection	yes	yes	yes	yes
Ambient temperature	-25...+70°C	-25...+70°C	-25...+70°C	-25...+70°C
Ambient moisture	35...95%	35...95%	35...95%	35...95%
Protection degree	IP67	IP67	IP67	IP67
Housing material	Brass+PTFE Coating	Brass+PTFE Coating	Brass+PTFE Coating	Brass+PTFE Coating
Connection	2m PVC Cable	2m PVC Cable	M12 Connector	M12 Connector
Certification	CE U _L	CE U _L	CE U _L	CE U _L

* Cable material and length can be customized



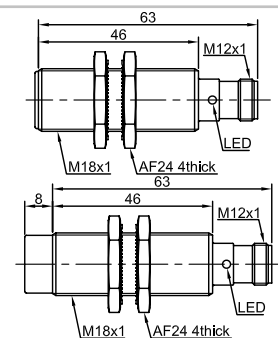
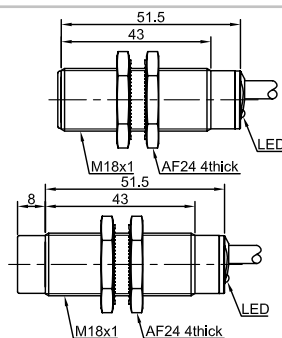
Item Code	LR18X		LR18X	
Mounting	● Flushed	◐ Non-flushed	● Flushed	◐ Non-flushed
Sensing distance	5mm	8mm	5mm	8mm



Output	NPN NO	LR18XBF05DNOA	LR18XBN08DNOA	LR18XBF05DNOA-E2	LR18XBN08DNOA-E2
	NPN NC	LR18XBF05DNCA	LR18XBN08DNCA	LR18XBF05DNCA-E2	LR18XBN08DNCA-E2
Output	PNP NO	LR18XBF05DPOA	LR18XBN08DPOA	LR18XBF05DPOA-E2	LR18XBN08DPOA-E2
	PNP NC	LR18XBF05DPCA	LR18XBN08DPCA	LR18XBF05DPCA-E2	LR18XBN08DPCA-E2

Technical Parameter				
Supply voltage	10...30 VDC	10...30 VDC	10...30 VDC	10...30 VDC
Temperature drift	< ±10%	< ±10%	< ±10%	< ±10%
Load current	<200mA	<200mA	<200mA	<200mA
Voltage drop	<2.5V	<2.5V	<2.5V	<2.5V
Consumption current	<15mA	<15mA	<15mA	<15mA
Hysteresis	1...20%	1...20%	1...20%	1...20%
Repeat accuracy	<3%	<3%	<3%	<3%
Frequency	1500Hz	1000Hz	1500Hz	1000Hz
Output indicator	Yellow LED	Yellow LED	Yellow LED	Yellow LED
Polarity protection	yes	yes	yes	yes
Surge protection	yes	yes	yes	yes
Short-circuit protection	yes	yes	yes	yes
Ambient temperature	-25...+70°C	-25...+70°C	-25...+70°C	-25...+70°C
Ambient moisture	35...95%	35...95%	35...95%	35...95%
Protection degree	IP67	IP67	IP67	IP67
Housing material	Brass+PTFE Coating	Brass+PTFE Coating	Brass+PTFE Coating	Brass+PTFE Coating
Connection	2m PVC Cable	2m PVC Cable	M12 Connector	M12 Connector
Certification	CE U _L	CE U _L	CE U _L	CE U _L

* Cable material and length can be customized



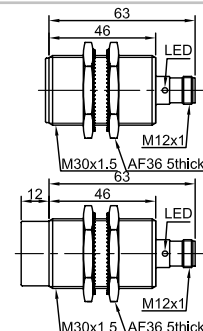
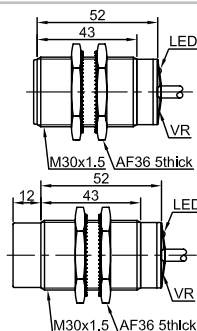
Item Code	LR30X		LR30X	
Mounting	● Flushed	◐ Non-flushed	● Flushed	◐ Non-flushed
Sensing distance	10mm	15mm	10mm	15mm



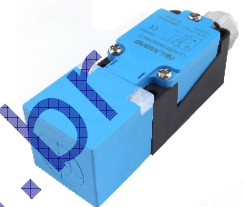
Output	NPN NO	LR30XBF10DNOA	LR30XBN15DNOA	LR30XBF10DNOA-E2	LR30XBN15DNOA-E2
	NPN NC	LR30XBF10DNCA	LR30XBN15DNCA	LR30XBF10DNCA-E2	LR30XBN15DNCA-E2
Output	PNP NO	LR30XBF10DPOA	LR30XBN15DPOA	LR30XBF10DPOA-E2	LR30XBN15DPOA-E2
	PNP NC	LR30XBF10DPCA	LR30XBN15DPCA	LR30XBF10DPCA-E2	LR30XBN15DPCA-E2

Technical Parameter				
Supply voltage	10...30 VDC	10...30 VDC	10...30 VDC	10...30 VDC
Temperature drift	< ±10%	< ±10%	< ±10%	< ±10%
Load current	<200mA	<200mA	<200mA	<200mA
Voltage drop	<2.5V	<2.5V	<2.5V	<2.5V
Consumption current	<15mA	<15mA	<15mA	<15mA
Hysteresis	1...20%	1...20%	1...20%	1...20%
Repeat accuracy	<3%	<3%	<3%	<3%
Frequency	800Hz	500Hz	800Hz	500Hz
Output indicator	Yellow LED	Yellow LED	Yellow LED	Yellow LED
Polarity protection	yes	yes	yes	yes
Surge protection	yes	yes	yes	yes
Short-circuit protection	yes	yes	yes	yes
Ambient temperature	-25...+70°C	-25...+70°C	-25...+70°C	-25...+70°C
Ambient moisture	35...95%	35...95%	35...95%	35...95%
Protection degree	IP67	IP67	IP67	IP67
Housing material	Brass+PTFE Coating	Brass+PTFE Coating	Brass+PTFE Coating	Brass+PTFE Coating
Connection	2m PVC Cable	2m PVC Cable	M12 Connector	M12 Connector
Certification	CE U _I	CE U _I	CE U _I	CE U _I

* Cable material and length can be customized



Item Code	LE40SZ		LE40XZ	
Mounting	● Flushed	◐ Non-flushed	● Flushed	◐ Non-flushed
Sensing distance	15mm	20mm	15mm	20mm



Output	NPN NO	LE40SZSF15DNOA-E2	LE40SZSN20DNOA-E2	LE40XZSF15DNOA-D	LE40XZSN20DNOA-D
	NPN NC	LE40SZSF15DNCA-E2	LE40SZSN20DNCA-E2	LE40XZSF15DNCA-D	LE40XZSN20DNCA-D
Output	PNP NO	LE40SZSF15DPOA-E2	LE40SZSN20DPOA-E2	LE40XZSF15DPOA-D	LE40XZSN20DPOA-D
	PNP NC	LE40SZSF15DPCA-E2	LE40SZSN20DPCA-E2	LE40XZSF15DPCA-D	LE40XZSN20DPCA-D

Technical Parameter				
Supply voltage	10...30 VDC	10...30 VDC	10...30 VDC	10...30 VDC
Temperature drift	< ±10%	< ±10%	< ±10%	< ±10%
Load current	<200mA	<200mA	<200mA	<200mA
Voltage drop	<2.5V	<2.5V	<2.5V	<2.5V
Consumption current	<15mA	<15mA	<15mA	<15mA
Hysteresis	1...15%	1...15%	1...15%	1...15%
Repeat accuracy	<3%	<3%	<3%	<3%
Frequency	300Hz	200Hz	300Hz	200Hz
Output indicator	Yellow LED	Yellow LED	Yellow LED	Yellow LED
Polarity protection	yes	yes	yes	yes
Surge protection	yes	yes	yes	yes
Short-circuit protection	yes	yes	yes	yes
Ambient temperature	-25...+70°C	-25...+70°C	-25...+70°C	-25...+70°C
Ambient moisture	35...95%	35...95%	35...95%	35...95%
Protection degree	IP67	IP67	IP67	IP67
Housing material	PBT+PTFE Coating	PBT+PTFE Coating	PBT+PTFE Coating	PBT+PTFE Coating
Connection	M12 Connector	M12 Connector	Terminal connect	Terminal connect
Certification	CE U _L	CE U _L	CE U _L	CE U _L

