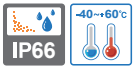


MSSSEL

Explosion Proof LED Perimeter Light



MSSSEL



MSSSEL Model applied in helideck

MSSSEL Explosion Proof LED Perimeter Light

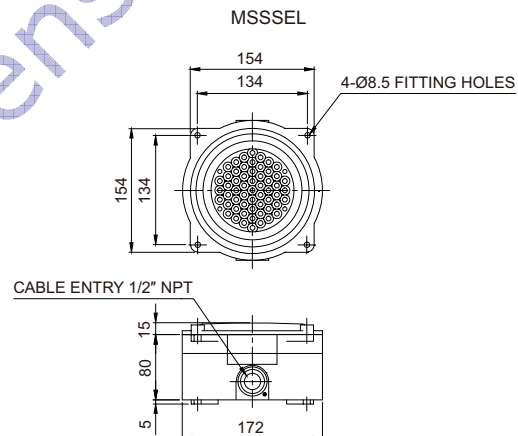
- Suitable for helideck and other dangerous areas that require a perimeter light
- Structure minimizing the projection of lens, can be protected from damage by external impact
- Product structure with 100mm height meets the IMD regulation condition
- Aluminum housing provides excellent durability
- Terminal for power wiring located inside of the housing
- Signal colors : ●R-Red ●A-Amber ●G-Green ●B-Blue
- Standard housing color : MUNSELL No. 7.5BG 7/2
- Cable entry : 1/2" NPT
- Materials : Lens-Tempered glass, Housing-Al
- Certificates : KIMM, ABS
- Protection rating : Ex d IIC T6, IP66
- Ambient operating temperature : $-40^{\circ}\text{C} \leq T_{\text{amb}} \leq +60^{\circ}\text{C}$

Specifications

Model number	Voltage	Current	Certificates	Weight	Color
MSSSEL	DC12V	0.466A		2.54kg	<ul style="list-style-type: none"> ● R-Red ● A-Amber ● G-Green ● B-Blue
	DC24V	0.255A		2.54kg	
	AC110V	0.040A		2.54kg	
	AC220V	0.040A		2.54kg	

Technical Diagram

(Units : mm)



Customization

- Explosion proof cable gland attached type available (Standard type does not provide explosion proof cable gland)
- Customized 2 way cable entries
- Customized cable entry(3/4" NPT, M20×1.5, M25×1.5) available

Ordering Specification

MSSSEL	-	220	-	R
[Model number]		[Voltage]		[Color]
• MSSSEL		<ul style="list-style-type: none"> • 12-DC12V • 24-DC24V • 110-AC110V • 220-AC220V 		<ul style="list-style-type: none"> ● R-Red ● A-Amber ● G-Green ● B-Blue

