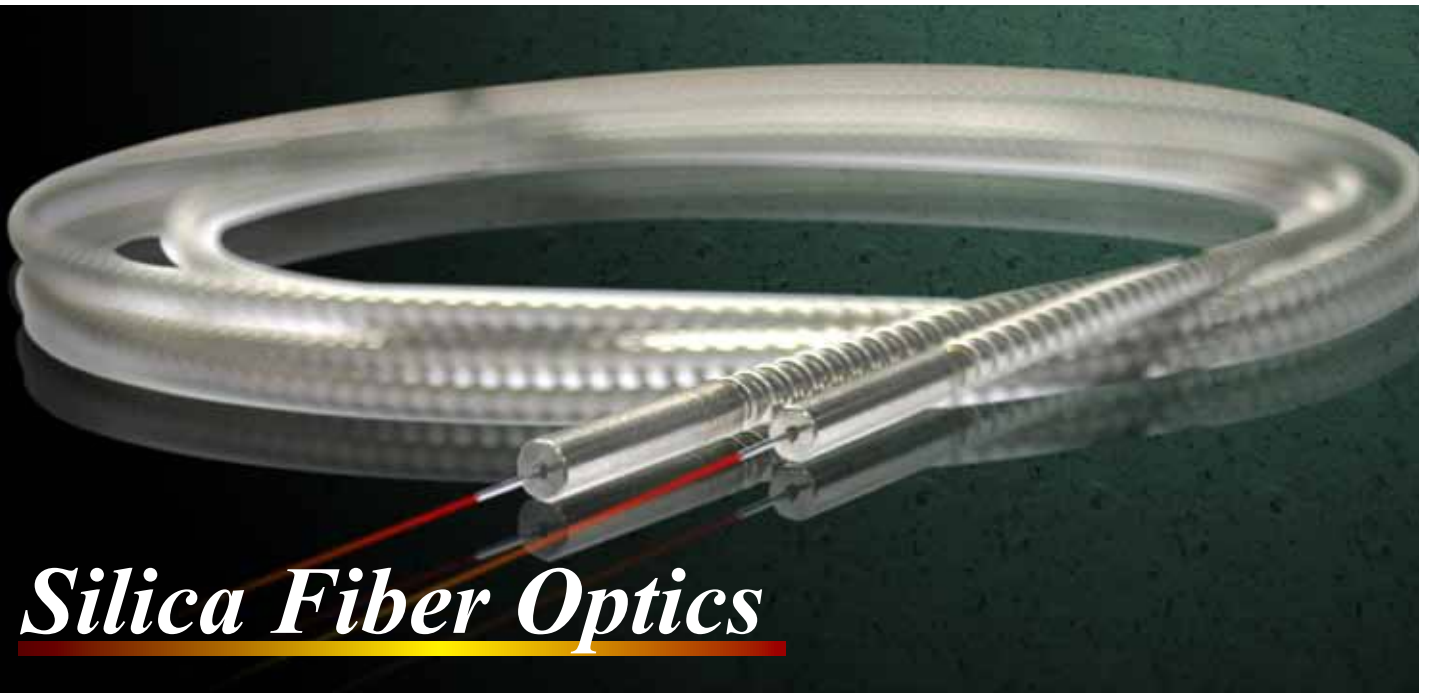


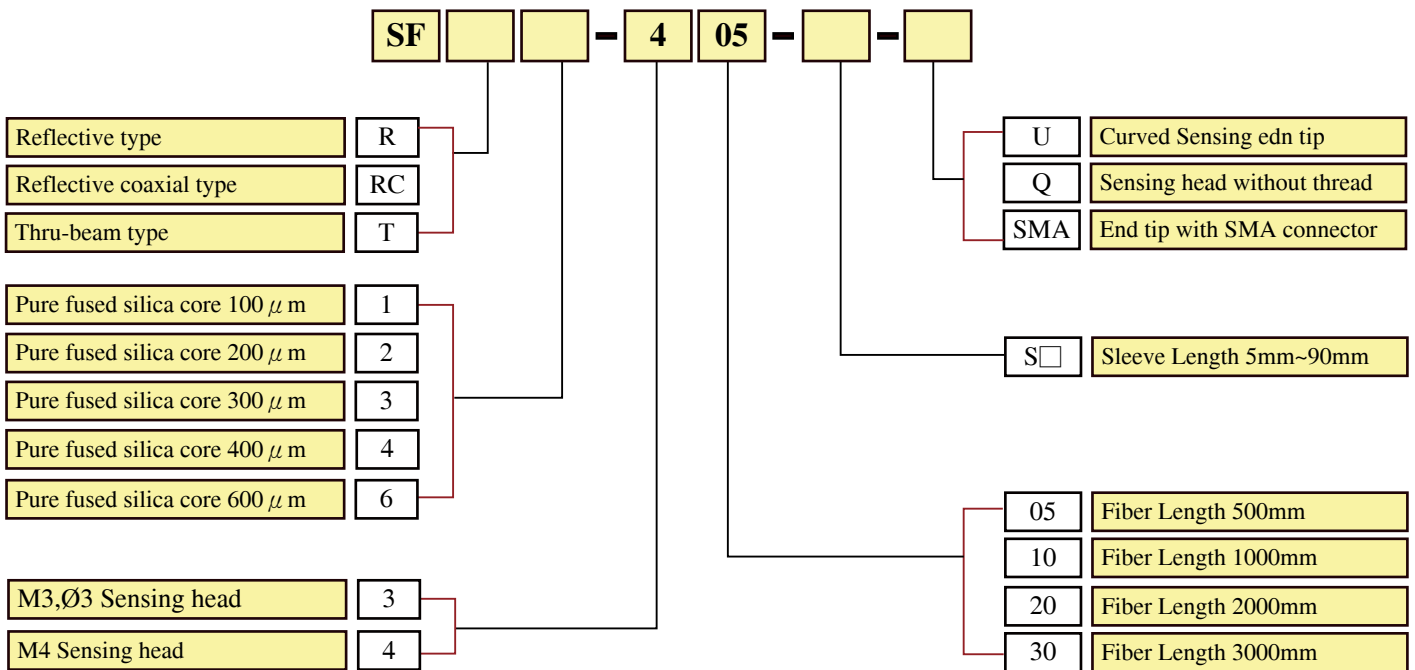
Fiber
PR /PT
FR /FT
Glass Fiber
Light Guide
Silica Fiber
Access



Silica Fiber Optics

Fiber customized for special dimension

◆Order Information :



Specifications / 規格表

Type	Model	Dimensions	Wavelength	Individual fiber diameter	Number of fibers	Operate temperature	Active area diameter
反射型 (Reflective)	SFRC-310-MU	<p>1080, 180, 10, 4, 15, 180, 22.05, 90°, 20.5, Ø2.1, 90°, Ø3.5, Ø20, Ø2.9 stainless steel protective tube, Ø6, SMA 905 connector, Ø2.9 stainless steel protective tube, 45°, Ø3.5, Ø19, 2.1, 100µm silica fiber optics x 66, 400µm silica fiber optics x 1</p>	180 ~ 1100nm	100 µm/ 400 µm	66/1	-40°C ~ +250°C	Ø1.2
	SFRC-305-21X	<p>100µm silica fiber optics x 14, Ø0.7, 400µm silica fiber optics x 1, 22, 390, 90, 10, 16, 1, 12, M3 P0.5 SUS303, Washer toothed lock Ø3.2; Nuts width across flats 5mm, thickness 2.2mm, Ø2.9, Ø3.5, Ø6.5, Ø3.5, Ø2.2, Ø2.9 stainless steel protective tube</p>	180 ~ 1100nm	100 µm/ 400 µm	40/1	-40°C ~ +250°C	Ø0.7
対照型 (Throughbeam)	SFT1-310-S51Q	<p>100µm silica fiber optics, 51, 15, 1000, 10, 16, Ø0.35 SUS 304, Ø3.0 SUS 303, Ø2.2, Ø3.5, Ø2.2</p>	220 ~ 700nm	100 µm	1	-40°C ~ +70°C	-
	SFT1-310-S5Q	<p>100µm silica fiber optics, 5, 15, 1000, 10, 16, Ø0.35 SUS 304, Ø3.0 SUS 303, Ø2.2, Ø3.5, Ø2.2</p>	220 ~ 700nm	100 µm	1	-40°C ~ +70°C	-
	SFT2-30-SMA	<p>Ø3.2, 3000, SMA 905, SMA 905 connector, 200µm silica fiber optics, Ø2.9 stainless steel protective tube</p>	220 ~ 700nm	200 µm	1	-40°C ~ +70°C	-
	SFT3-28-SMA	<p>300µm silica fiber optics, 2800, SMA 905, Ø2.9 stainless steel protective tube</p>	220 ~ 700nm	300 µm	1	-40°C ~ +70°C	-
	SFT4-320-SMA	<p>400µm silica fiber optics, 23, 13, 2000, SMA 905, 70°C, Ø2.0, M3 P0.5 SUS303, Washer toothed lock Ø3.2; Nuts width across flats 5mm, thickness 2.2mm, Ø3.2, Ø2.9 stainless steel protective tube</p>	220 ~ 700nm	400 µm	1	-40°C ~ +250°C	-
	SFT1-20-SMA	<p>Ø3.2, 2000, SMA 905, SMA 905 connector, 100µm silica fiber optics, Ø2.9 stainless steel protective tube</p>	220 ~ 700nm	100 µm	1	-40°C ~ +70°C	-

Fiber

PR /PT

FR /FT

Glass Fiber

Light Guide

Silica Fiber

Access