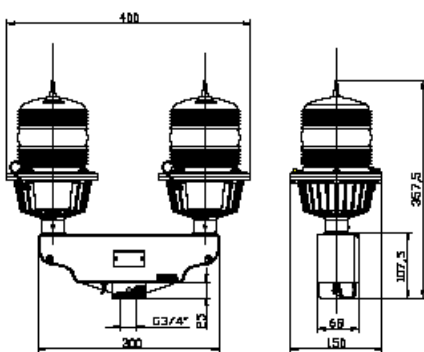
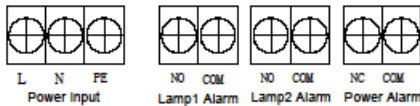




Dimensões:



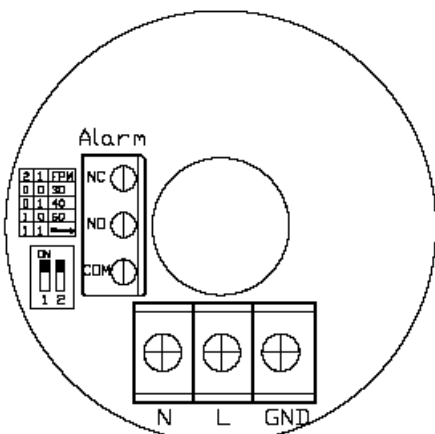
Conexões:



AC wiring diagram

Remarks : For customized product, please make object as standard.

Flashing rate adjustment:



Dual aviation obstruction light – MS-LS310C-E1-V11

Applications

Applying to tower(power transportation, telecom, GSM), smokestacks(power plant, coking plant, chemical plant), high buildings, bridge, harbor machinery, construction machinery, wind turbine etc for aircraft warning.

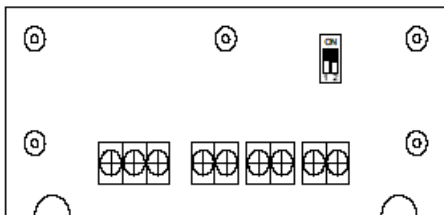
Main functions and features

- Use Fresnel lens, high utilization of light, valid keeping light beam in the scope as required.
- Based on LED technology, low power consumption, and high efficiency.
- Lamp housing is with bird spike. Its material is polycarbonate, good at anti-impact strength, thermal stability, fire resistance..
- Basing is aluminum alloy. It is light weight and corrosion resistance.
- G3/4" pipe is available for installation, easy for mounting.
- Self- contained compartment, with stainless steel wire which is used to secure the unit against falling in operation.
- Built-in micro monitoring controller unit. When and if service light fails , the controller switch on the standby light automatically.
- Photocell control function(optional).
- Failure warning output function(optional).
- Extremely reliable, maintenance cost saving.

Specification

Standard	Compliant to the ICAO(Aerodromes Annex 14) and FAA-L810	Vertical degree	≥10°
Light source	High luminance LED	Horizontal degree	360°
Light color	red (other color can be customized)	Flashing rate	30FPM/40FPM/60FPM/ steady burning can be adjusted
Operating voltage	AC110-240V	Flashing duration	150±20ms
Power consumption	6W(steady burning)/<2W(30FPM)	LED lifetime	≥100,000h
Intensity	≥32.5cd	Photocell on/off level	500±50Lux
Operating temperature	-40°C ~ +70°C	IP protection	IP65
Relative humidity	10% ~ 95% (no condensing)	Weight	4.5kg
Material	Body : aluminum alloy Housing : PC		

Dual light/two light switchover



Installation and operation

- Please check the supply voltage does comply with rated voltage of the lamp.
- Screw the lamp on G3/4' pipe of mounting bracket, which should be fixed on a smooth surface with enough mechanical strength. Or you can select our mounting bracket: PJ024, PJ005. Note that installation is fixed and reliable, so as not to fall.
- If the lamp is with photocell, please do not put photocell direct to nearby light. Meanwhile ensure that the photocell is not obstructed by nearby object.
- Open the connection box and connect the power wire, signal wire according to marking. Then remount the connection box.
- Switch on the power after check up. The light begins to work.

Adjustment of flashing rate

- Switch off the power.
- Unscrew the screws of housing and base.
- The flashing rate and adjusted code, please see as following:



1=ON,2=ON
30FPM



1=OFF,2=ON
40FPM



1=ON,2=OFF
60FPM



1=OFF,2=OFF
Steady

- Screw the screws of housing and base.
- Power on, the light will work as your setting.

Dual light/Two lights switchover

- Switch off the power.
- The work model and adjusted code, please see as following:



1=OFF,2=OFF : Work model is in dual light way (Lead light + standby light. When and if lead light fails, standby light will switch on automatically.)



1=ON,2=OFF : Work model is in two lights way. (Two lights work at the same time)

- Power on, the light will work as your setting.

Notice

- When the lamp works, temperature rising is normal phenomenon.
- Please do not open any components except professional serviceman.
- The product is a sealed structure. Do not be tampered by anyone other than registered installer.