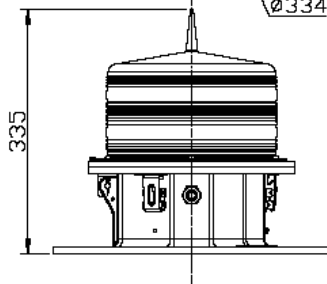
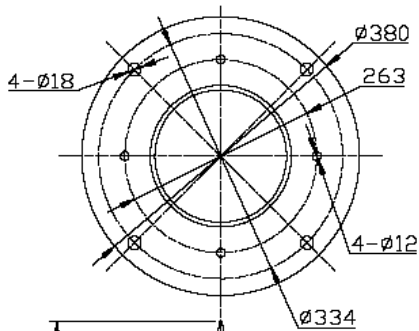
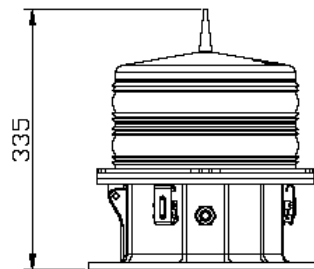
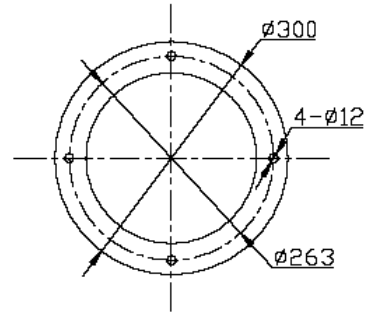


LM401 Medium Intensity Aviation Obstruction Light *LM401-E1-V12*

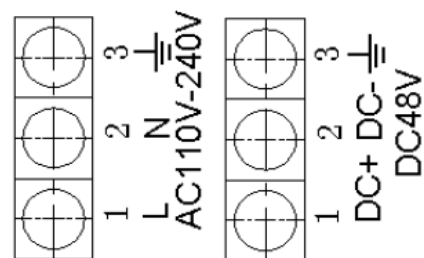


Mounting dimension (unit: mm)



(optional)

Wiring diagram





Applications

For marking Towers (Telecom, GSM), Smokestacks, Buildings and any other potentially hazardous obstructions to air traffic.

Main functions and features

- Design Based on Fresnel lens optical principle .
- LED technology, extremely reliable and cost saving.
- Lamp housing –Polycarbonate, with good anti-impact strength, thermal stability, high transmittance.
- Base material-- aluminum alloy base, anti-vibration, corrosion-resistant.
- External sealing material: waterproof seal.
- Combustibility rating: UL94-V0.
- Wind rating: $\geq 49\text{m / s}$.
- Synchronization: GPS synchronization.
- Automatic Switching: luminous intensity switches with ambient light automatically. Day 20000 \pm 25% cd, night 2000 \pm 25% cd.
- Can be customized accessories: mounting bracket.

Specification

International standard	ICAO-Type A and FAA-L865		
Color	white	Light source	LED
Intensity	Day 20000cd \pm 25% cd Night 2000 \pm 25% cd	Work styles	Flashing
Vertical degree	3°	Horizontal degree	360°
Voltage	AC110V~AC240V/DC48V	Power consumption	Day \leq 10W night \leq 10W
Light source power	\geq 400W	LED life	\geq 100,000h
Flashing rate	20FPM	Flashing duration	Day : 8ms Night :110ms
On/Off level	50lux		
Ambient temperature	-40°C ~ +55°C	IP protection	IP65
Humidity	10% ~ 95% (no coagulation)	Weight	9.5kg



Installation and operation

- Secure the light on a smooth surface which has enough strength, if there is no mounting surface, we can customize special mounting bracket as request.
- When installation, please stay away the nearby light source, at the same time, ensure the photocell do not cover by the near object.
- Make sure the power supply can match the rated power of light before connecting.
- Unfasten 3 tache and overturn the lamp body, comes out the connection terminal.
- Insert the power cable from the gland box and then connect them to the corresponding terminals inside the lamp body.
- Button the tache while wiring connection finished.
- Check whether the power cables are connected correctly before power on.

Notice

- Ensure that the power connection part is correct before using.
- Plugged in a minute later the lights began to work properly.
- Temperature rise when light working is normal phenomenon.
- Please do not open any components inside by yourself.
- Please do not look light horizontally to protect your eyes while the light working.
- This product is a sealed structure; Please do not be tampered with by anyone other than registered installer. Once found, we are not warranty.

Application

