


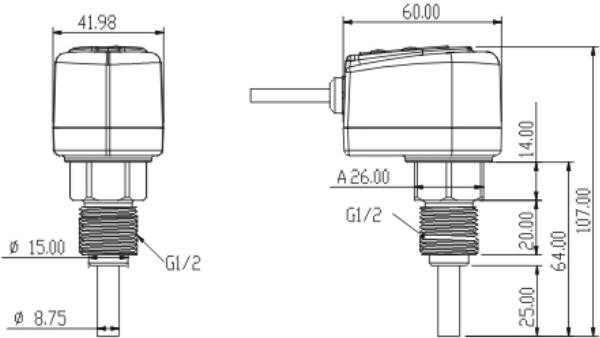
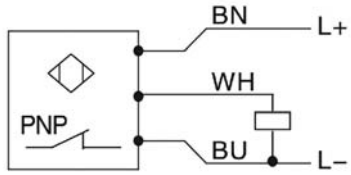


<p>FL1002 Flow Sensor Setting via potentiometers With cable Thread connection External thread G1/2 Plastic housing PBT+30%GF</p>	 <p>RoHS </p>
Application	Liquid and Gas
Electric design	DC PNP
Output	NC 
Operating voltage [V]	20...36 DC
Max. loading current [mA]	400
Short-circuit protection	Yes
Reverse polarity protection	Yes
Voltage drop [V]	<2.5
Current consumption [mA]	<40
Max. temperature gradient of medium [K/min]	300
Pressure rating [bar]	300
Liquid medium temperature [°C]	-25...80
Liquid setting range [cm/S]	3...300
Max. sensing range [cm/S]	3...60
Liquid SP setting [cm/s]	Adjustable via a potentiometer (Factory setting: 15)
Gas medium temperature [°C]	-25...80
Gas setting range [cm/S]	200...3000
Max. sensing range [cm/S]	200...800
Gas SP setting [cm/s]	Adjustable via a potentiometer (Factory setting: 150)
Power-on delay time [s]	< 8
Output response time [s]	< 2
Protection classification	IP67
Dimension	

Shock resistance [g]	50
Vibration resistance [g]	20
Housing material	PBT+30%GF
Probe material	Stainless steel (S316L)
Display	Red LEDx1, Green LEDx5
Connection	PVC-Cable/2m; 3x0.34mm <sup>2</sup>
Wiring Core color BN: Brown WH: White BU: Blue	

**MEGA SP Comércio de Sensor Ltda ME**  
 Rua Liliental, 247 - CEP 02231-000 - São Paulo - SP  
 Telefone: 11-3938-5313 - Mobile: 11-97162-7722 - E-mail: vendas@megasensor.com.br  
 www.megasensor.com.br www.lojamegasensor.com.br

www.megasensor.com.br