


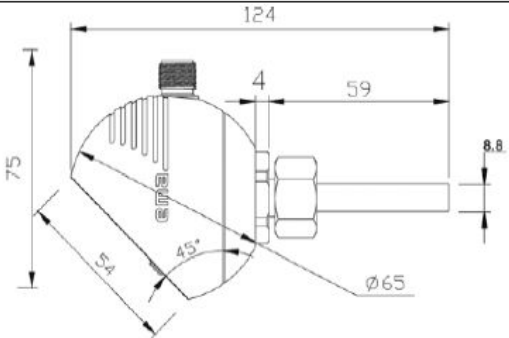


<p>FL0003 Smart Flow Sensor Compact type for adaptor M12 socket Thread connection Internal thread M18 x 1.5 for adaptor Aluminum alloy</p>	 <p>CE RoHS</p>
Application	Liquid and Gas
Electric design	AC RELAY
Output	N.O.  /N.C. 
Operating voltage [V]	85...265 AC
Voltage tolerance[%]	-5 /+10
Contact capacity	3A(250V AC / 30V DC)
Max. power consumption[VA]	< 3.5
Max. temperature gradient of medium [K/min]	300
Pressure rating [bar]	300
Liquid medium temperature [°C]	-25...80
Liquid setting range [cm/S]	3...300
Max. sensing range [cm/S]	3...60
Gas medium temperature [°C]	-25...80
Gas setting range [cm/S]	200...3000
Max. sensing range [cm/S]	200...800
Power-on delay time [s]	< 8
Response time [s]	< 2
Operating temperature [°C]	-25°C ...80°C
Protection classification	IP67
Dimension	
Shock resistance [g]	50
Vibration resistance [g]	20
Housing material	Aluminum alloy
Sensor material	Stainless steel(S304)
Display	3-color LED X 10
Connection	M12 socket