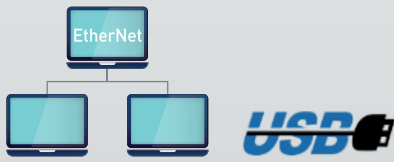
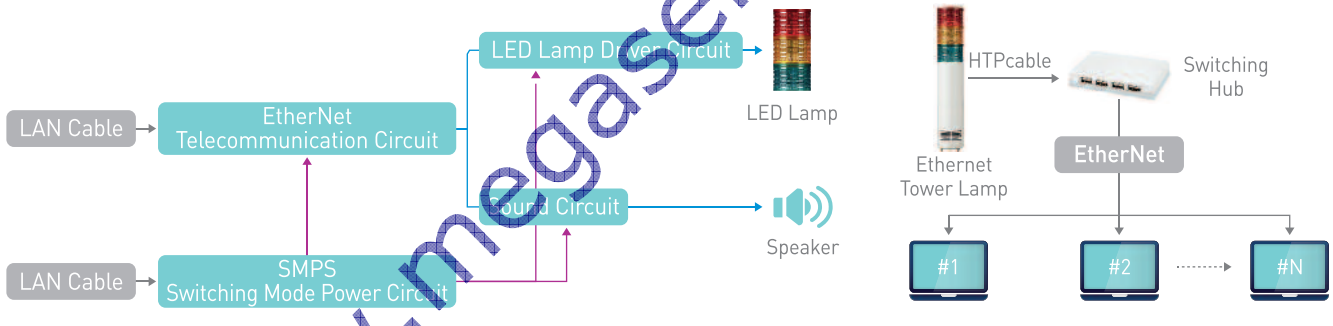


# USB Interface / Ethernet LED Tower Lights



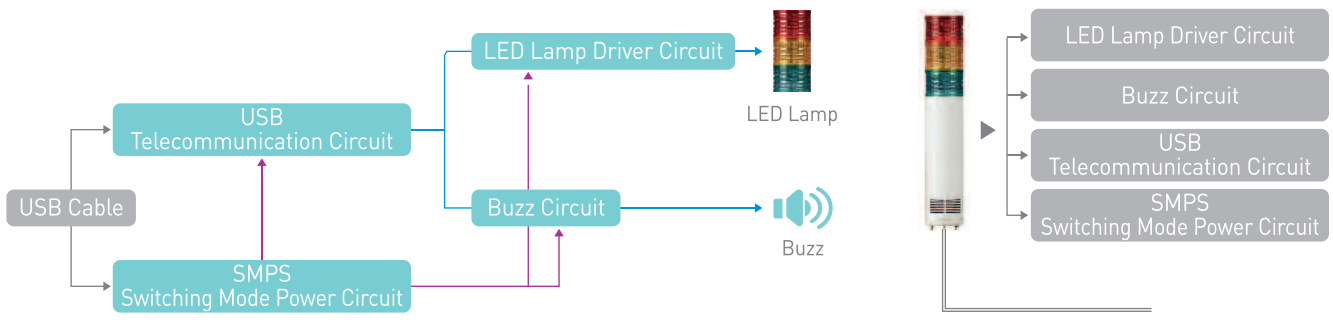
## EtherNet

**What is Ethernet?** Ethernet is one of the computer networking technologies for local area (LAN) and larger networks, which was standardized as IEEE (Institute of Electrical and Electronics Engineers) 802.3.



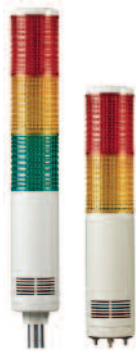
## USB

**What is USB?** USB is an industry standard that defines cables, connectors, and communication protocols used in bus between PCs and its peripherals. A single host controller of USB can connect to up to 127 devices without rebooting the connected PC or installation process.



**ST45L-ETN, ST56L-ETN, ST80L-ETN**

Ethernet LED signal tower connected and controlled by TCP/IP Ethernet communication through internet or LAN



- Dimensions
  - ST45L-ETN ≈ Ø45 diameter
  - ST56L-ETN ≈ Ø56 diameter
  - ST80L-ETN ≈ Ø80 diameter
- Material
  - Body : ABS - Lens : AS
  - Pole : Al
- Buzzer - Max.90dB
- Speaker - Max.85dB
- Flash Rate - 60-80 fpm
- Operating Voltage
  - DC12V, 24V, AC110V, 220V
- Protection Ratings - IP23

**ST45L-USB, ST56L-USB, ST80L-USB**

USB interface LED signal tower powered by PC's USB port



- Dimensions
  - ST45L-USB ≈ Ø45 diameter
  - ST56L-USB ≈ Ø56 diameter
  - ST80L-USB ≈ Ø80 diameter
- Material
  - Body : ABS - Lens : AS
  - Pole : Al
- Buzzer - Max.90dB
- Speaker - Max.85dB
- Flash Rate - 60-80 fpm
- Operating Voltage
  - DC12V, 24V, AC110V, 220V
- Protection Ratings - IP23

**\*\*LINHA PREFERENCIAL**

**QT50L-ETN, QT70L-ETN**

Ethernet LED signal tower light controlled remotely through internet and LAN



- Dimensions
  - QT50L-ETN ≈ Ø50 diameter
  - QT70L-ETN ≈ Ø70 diameter
- Material
  - Lens : PC - Cover : ABS
  - ETN Module : PC - Pole : Al
- Buzzer, Speaker
  - QT50L-ETN - 85dB
  - QT70L-ETN - 90dB
- Flash Rate - 60-80 fpm
- Operating Voltage
  - DC12V, 24V, AC110V, 220V
- Protection Ratings - IP54

**\*\*LINHA PREFERENCIAL**

**QT50L-USB, QT70L-USB**

Modular LED signal tower remotely controlled and monitored through PC application program



- Dimensions
  - QT50L-USB ≈ Ø50 diameter
  - QT70L-USB ≈ Ø70 diameter
- Material
  - Lens : PC - Cover : ABS
  - USB Module : PC - Pole : Al
- Buzzer, Speaker
  - QT50L-USB - 85dB
  - QT70L-USB - 90dB
- Flash Rate - 60-80 fpm
- Operating Voltage
  - DC12V, 24V, AC110V, 220V
- Protection Ratings - IP54

**Mounting Bracket Options**

Standard 18 / Standard 24	LB 18 / LB 24	LW 18 / LW 24	PE 18 / PE 24
SZ 18 / SZ 24	QZ 18 / QZ 24	SL 18 / SL 24	QL 18 / QL 24