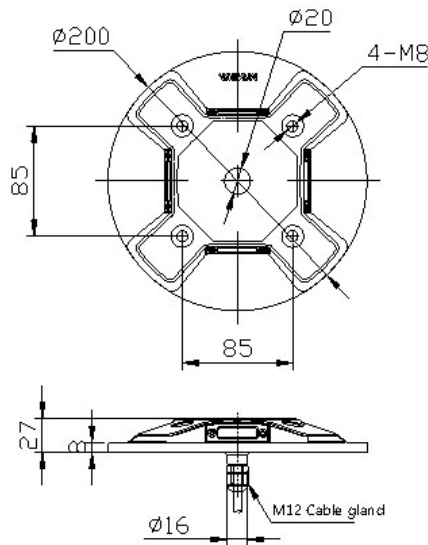




Dimension (mm)



Application


Application

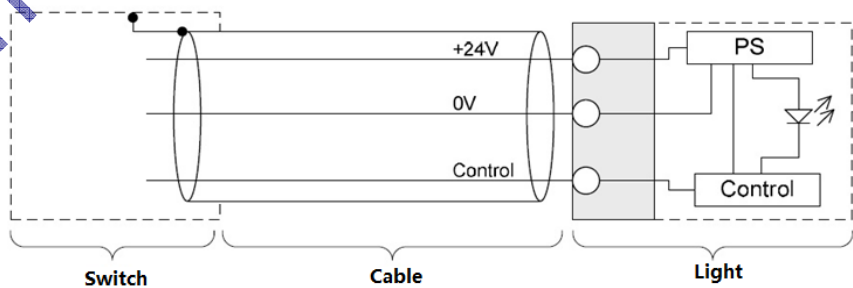
Applying to helipad lighting system on ship, offshore platform.

Main function and features

- Light source is high bright LED, long lifetime and high cost effective.
- Light is 0 to +90 degrees vertical hole, 360-degree horizontal hole.
- Use LED constant current drive mode to extend LED life .
- Externally connect PWM signal to achieve intensity continuously adjustable from 0 to 100%
- Light transmitting portion is tempering glass, with good light transmission, thermal stability, flame retardancy.
- Body is made of stainless steel 316, with good impact strength and corrosion resistance.
- As light height is low, the vehicle can be passed from above.
- Easy installation, stable, low maintenance costs.

Specification

Voltage	DC24V	Light source	LED
Color	Amber	Work model	Steady burning
Design lifetime	10 years	Dimmer way	PWM (0 ~ 100%continuously adjustable)
Power	5W	LED lifetime	100000 hours
Work temperature	-40°C ~ +55°C	IP rate	IP67
Humidity	95%	Weight	3.5kg
Material	Body : stainless steel 316 , Optic lens : Tempering glass		

Wiring diagram

Installation and usage:

- Follow the wiring diagram to connect cable correctly.
- Use four M8 bolts stainless Aaron fixture to the mounting surface.
- Switch on the power supply, lamp start working.

Notice

- It is normal if lamp temperature rise.
- Do not turn on the light body in an energized state