



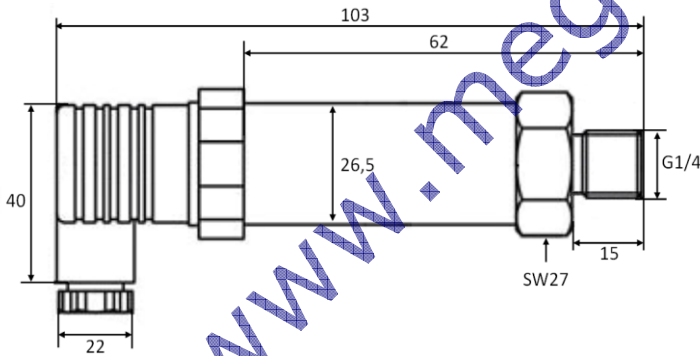
- Standart Diaphragm / Relative pressure measurement
- Industry and Sanitary Applications
- Stainless steel case and wetted parts
- EMC and Reverse polarity protection
- Analog output 4...20mA or 0...10VDC
- Standart ranges available from stock
- High Sensitivity
- Internal “ZERO” and “SPAN” adjustment
- Cost Effective

Applications

- Pneumatic Systems
- Hydraulic Systems
- Machines Equipments
- Air Cooling – Heating Systems
- Water Technologies
- Automation Applications

BT-210 Technical Specifications

Pressure Range	Relative pressure measurement From 1 BAR to 600 BAR and 100mbar to 600mbar different ranges
Output	4...20mA (2 Wire) , 0...10VDC (3 Wire) (Internal “ZERO” and “SPAN” adjustment)
Pressure connection	G1/4” male
Electrical Connection	Female connector DIN43650
Power Supply	24VDC
Accuracy	%0,5 @ +25°C
Protection Class	IP65
Media Temperature	-40°C +120°C
Membran	Thin film on steel (316)
Housing Material	Stainless steel (304L)
Weight	180 gram



Pin No	Signal
2 Wire 4-20mA Connection	
1	+24VDC Power Supply
2	4...20mA Analog Out

Pin No	Signal
3 Wire 0-10VDC Connection	
1	+24VDC Power Supply
2	GND
3	0...10VDC Analog Out

Order Code

Model No

B T - 1 0 - 2 1 0 - 1 B A R

Output

10 Series : 4-20mA
20 Series : 0-10VDC

Diaphragm Model

210 Series : Standart Diaphragm

Defined Pressure Range

From 1 BAR to 600 BAR and
100mbar to 600mbar different ranges