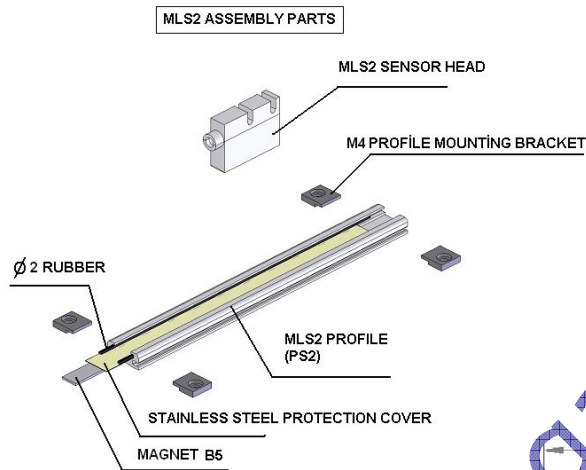




- Easy mounting
- "Slim Line" type aluminium carrier body
- Protection class IP67
- Magnetic tape integrated in profile
- Stainless steel cover strip ( Upside and Downside )
- Up to 100 m available

The highly rugged, flexible plastic magnetic tape can be applied to a machine tool easily. With a special industrial adhesive layered strip, B5 Magnetic Tape can be attached to the overside of the profile system.

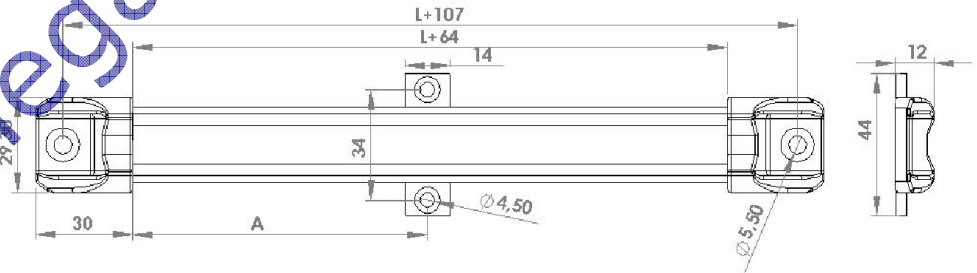
The magnetic material is magnetised in defined and even distances and works as a solid measure. The magnetic scale retains its firmness by means of a spring steel base.



### PS2 Series Slim Line Specifications

Operating temperature	-40°C to +120°C
Pole Pitch	5 mm , 2 mm
Accuracy Class	±40µm /m or ±20µm/m
Storage temperature	-40°C to +120°C
Protection	IP67
Body Material	Anodized Aluminium

- Masking tape inside aluminium profile
- Resistant to moisture and many fluids
- Extensive ruggedness against dust etc.
- The highly rugged, flexible



### Order Code

### Model No

**P S 2 - 1 0 0 mm**

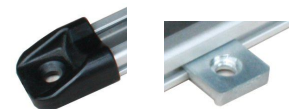
PS2 : Aluminium Carrier Profile + B Series Magnetic Tape  
 P2 : Only Aluminium Carrier Profile

### Defined Stroke Range

Several standard lengths from 50 mm to 100 meters

### Included in Delivery

2 units with plastic fixing piece  
 For mounting Clamps



MLS1 Reader Head Sensor ordered custom-made sensor used with the L<sub>x</sub> + 80 mm  
 MLS3 Reader Head Sensor is used with the L<sub>x</sub> is added to +120 mm